

DATA SHEETS



TROMMEL SCREENERS

B O O K

The K-TS is the next generation of Komplet mobile trommel screen that works with all large systems and offers a highly efficient throughput. The machine offers three different fraction sizes: fines, mids, and overs. Numerous innovations create a machine with the highest level of functionality and cost-effectiveness and at the same time set new performance standards.

The drive system represents the foundation for the extremely high degree of cost-effectiveness - everything on the K-TS is driven electrically, from the hopper to the discharge belts, which minimizes energy, wear and servicing costs.

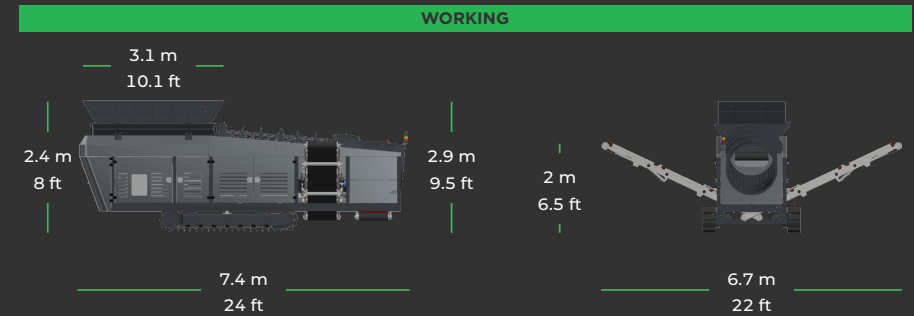
Komplet.it

TROMMEL SCREERS

- Single or Double trommel with same machine.
- Cleaning Brush.
- Power options: diesel-electric or all electric operation.
- Comfortable service-friendly access to machine components.
- Quick change mesh.
- Large wire mesh possibility.
- Remote control.
- Hydraulically side belts.
- Intuitive Automation & Control System.
- Quick, simple setup.
- Seamless integration with Komplet's other mobile crusher and shredder to provide a complete solution.

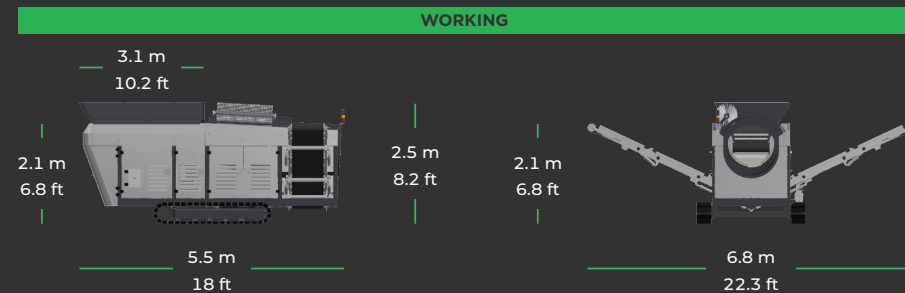
K-TS 40

- 1. 3,000x1,300 mm
118x51 inch
- 2. 3,900x1,300 mm
119x51 inch
- Up to 100 mch
- 3 to 60 mm
0,1 to 2,3 inch
- Genset 45 kW
50 Hz
380 V
- 10,000 kg
22,046 lb



K-TS 30

- 1. 1,740x1,300 mm
68x51 inch
- 2. 2,640x1,300 mm
103x51 inch
- Up to 60 mch
- 3 to 60 mm
0,1 to 2,3 inch
- Genset 23 kW
50 Hz
380 V
- 4,000 kg
8,818 lb



K-TS 50

**COMING
SOON**





GLASS | COAL | SAND AND GRAVEL | WOOD CHIPS | SHREDDED OLD
WOOD | COMPOST | SLAGS | RECYCLING | TOPSOIL
ALTERNATIVE FUELS | CONSTRUCTION WASTE | CRUSHED STONE | SPLIT
AND MORE



Komplet S.p.a.

Via Antonelli, 49 60012 Trecastelli (AN) Italy

✉ info@komplet.it

☎ +39 071 6609823

VAT 02035890421